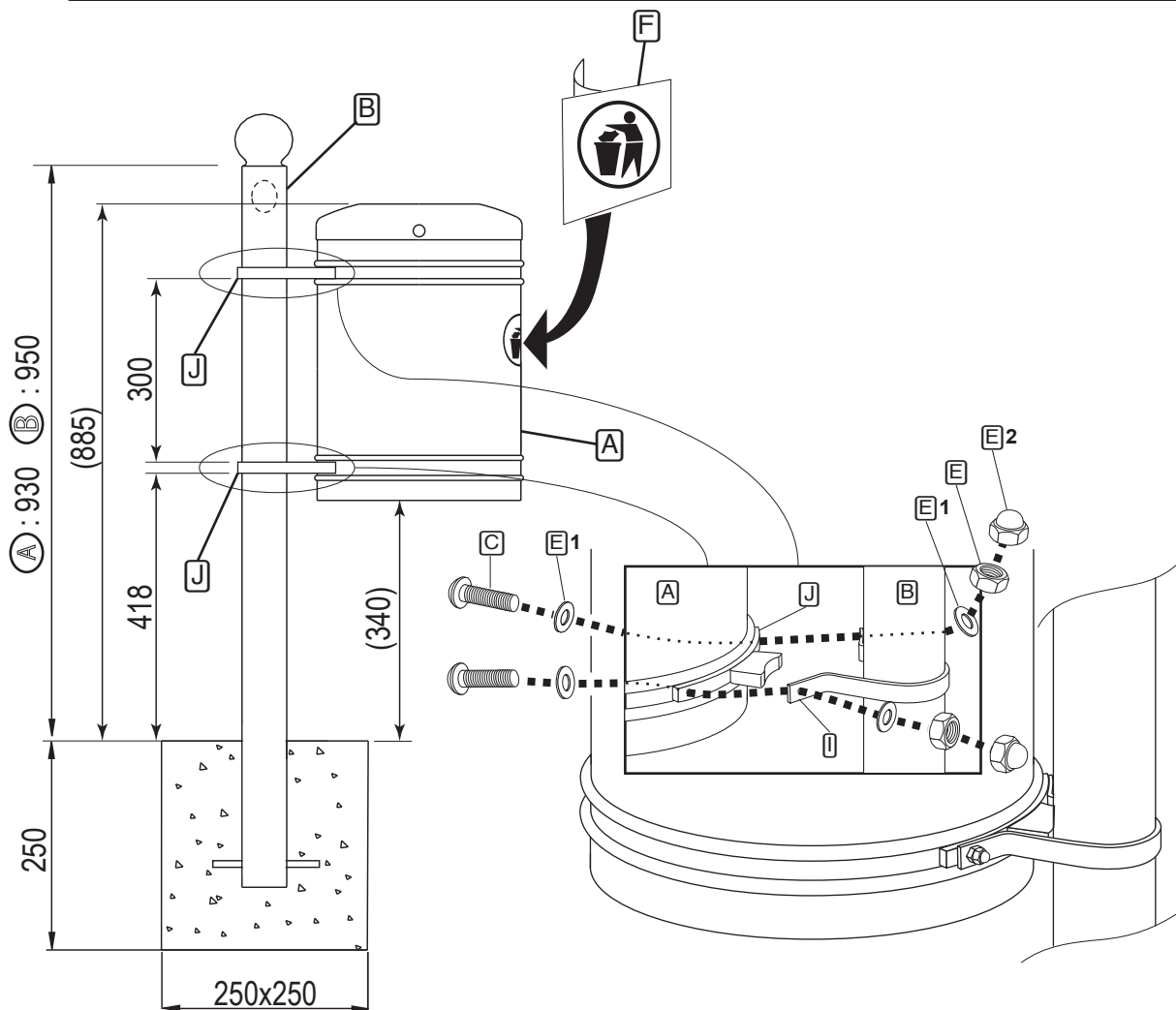


# CORBEILLE GUYENNE 40 litres sur poteau - Serrure triangle de 8 ; avec seau

**A** Pied latéral: = 208117 - = 208118 - = 208120 - = 208119 - = 208116 - = 208121 - = .....

**B** Pied cendrier: = 208165 - = 208166 - = 208167 - = ..... - = 208168 - = ..... - = 306471



- H** (x 1)  $\Delta_8$  ACC 03341
- A1** (x 1) ATE 208110-A
- A2** (x 1) 60x60x20 ATE 03284
- A3** (x 4)  $\varnothing 4 \times 12$  ACC 18202
- A4** (x 1)  $\Delta_8$  ACC 19072
- A** (x 1) ATE 208110-B
- B** (x 1)  $\varnothing 76$ 
  - 208117  $\rightarrow$  206320
  - 208118  $\rightarrow$  206304
  - 208120  $\rightarrow$  206402
  - 208119  $\rightarrow$  206305
  - 208116  $\rightarrow$  206316
  - 208165  $\rightarrow$  206585
  - 208166  $\rightarrow$  206586
  - 208167  $\rightarrow$  206587
  - 208168  $\rightarrow$  206589
  - 306471  $\rightarrow$  306460
- I** (x 2) ATE 208205-A
- J** (x 2) ATE 208205-B
- C** (x 4) BHC M8x30 ACC 22232
- E1** (x 8) M8 ACC 18145
- E** (x 4) H M8 ACC 05012
- E2** (x 4) H M8 ACC 05004
- F** (x 1) ACC 01019
- G** (x 1) 40L 90001003-001

**N°414**

# CORBEILLE GUYENNE 40 litres sur poteau - Serrure triangle de 8 ; avec seau

**A** Pied Latéral: = 208117G - = 208118G - = 208120G - = 208119G - = 208116G - = 208121G - = .....

**B** Pied cendrier: = 208165G - = 208166G - = 208167G - = ..... - = 208168G - = ..... - = 306471G

