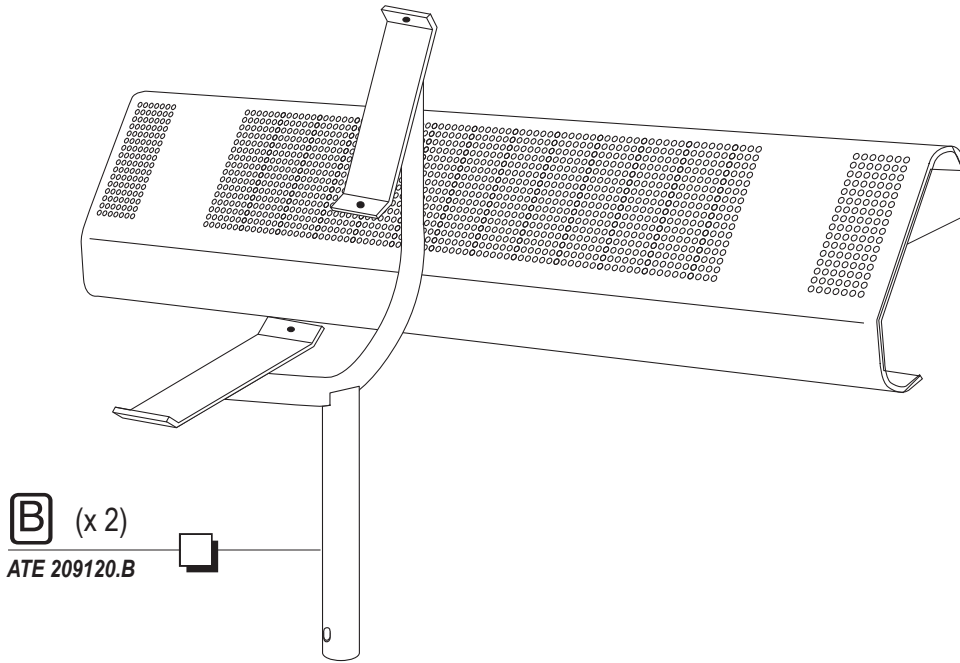


Bancs Oslo

L = 1480 : 209120 - L = 1800 : 209121



B (x 2)
ATE 209120.B

A (x 2)
L=1480: ATE 209120G-A
L=1800: ATE 209121G-A

D (x 8) BHC M8x20
ACC 22226

E (x 8) H M8
ACC 05012

F (x 16) M 8
ACC 18145

