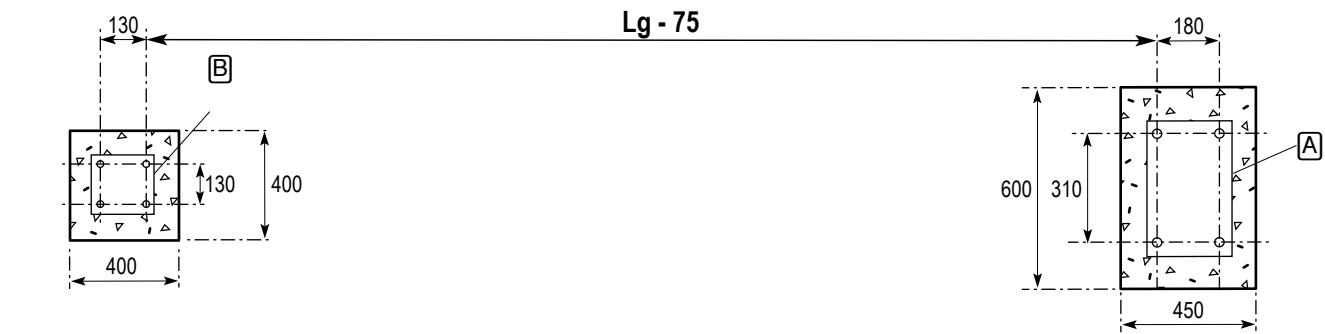
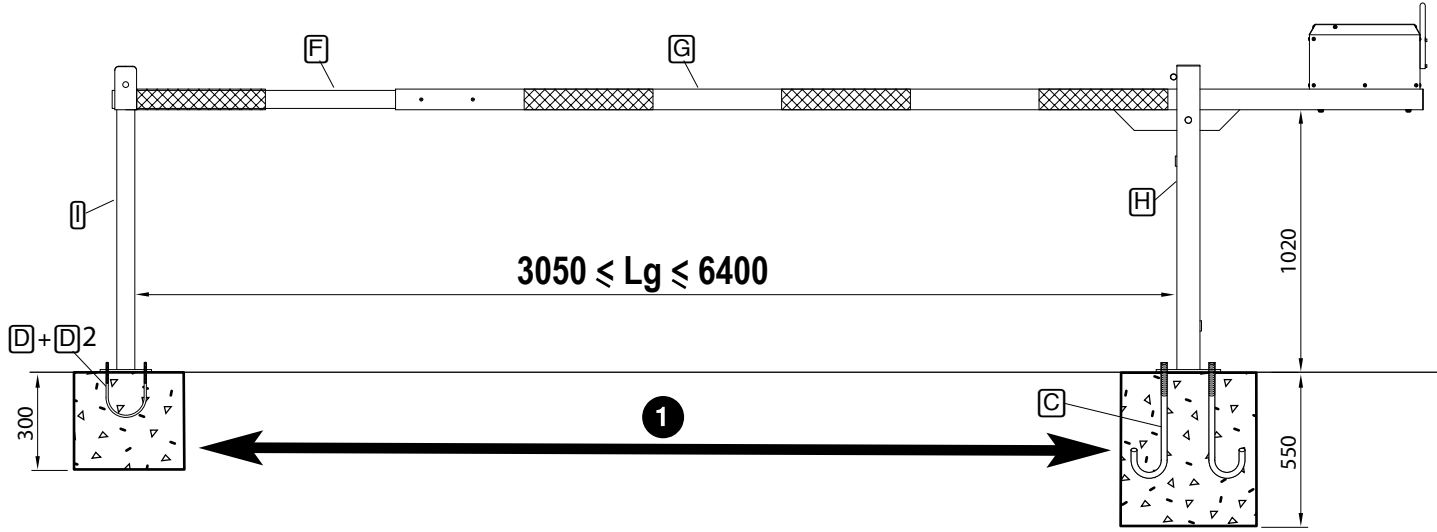


# BARRIERE LEVANTE UNIVERSELLE

Lg = 3,05m à 6,4m - Réf. 202170 - Réf. 272170\*

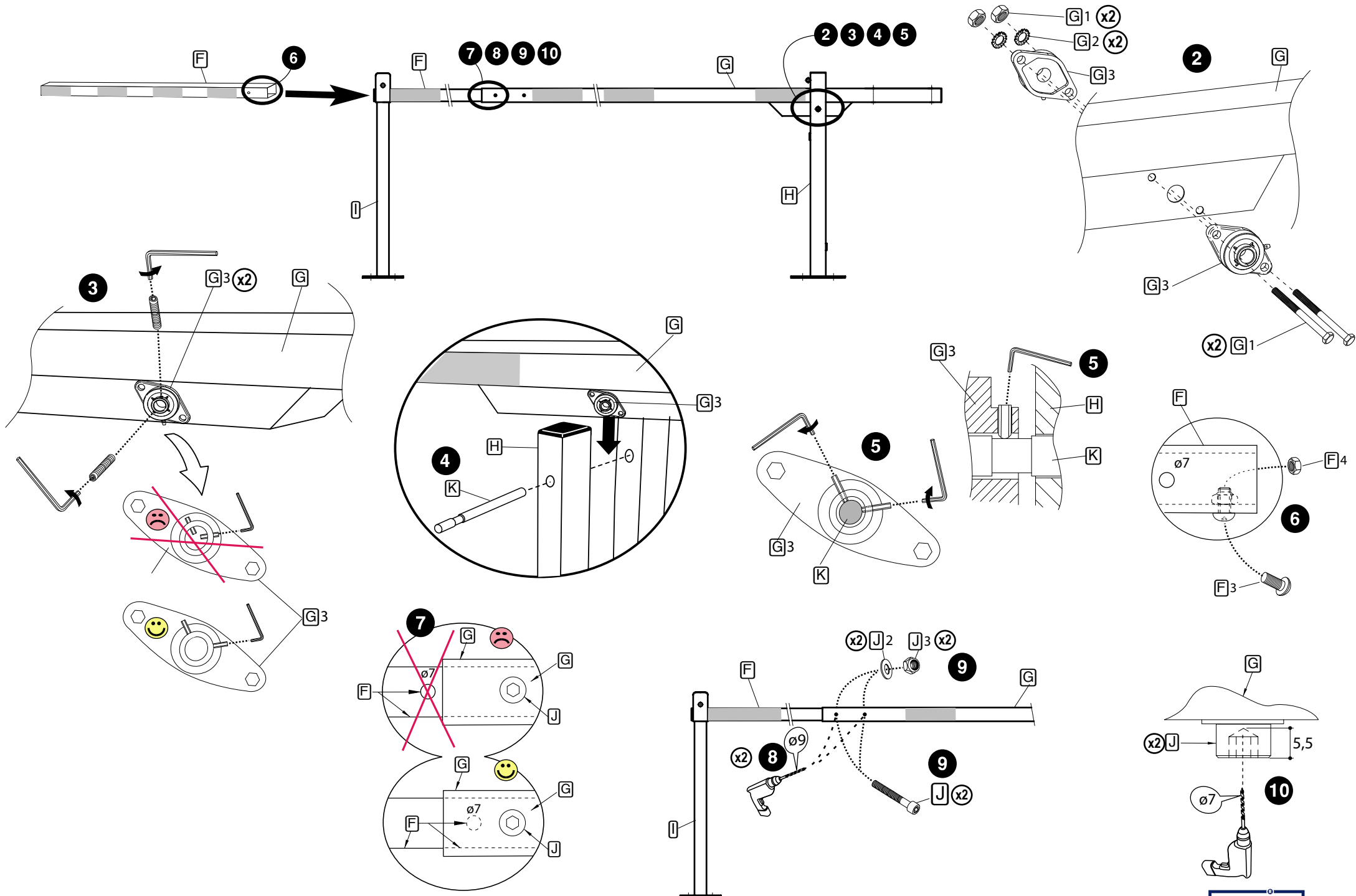


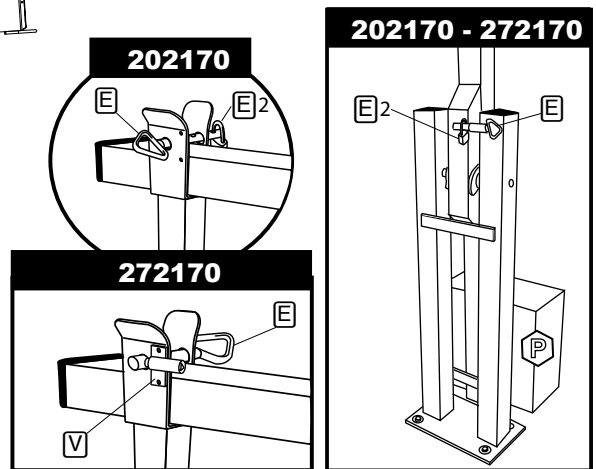
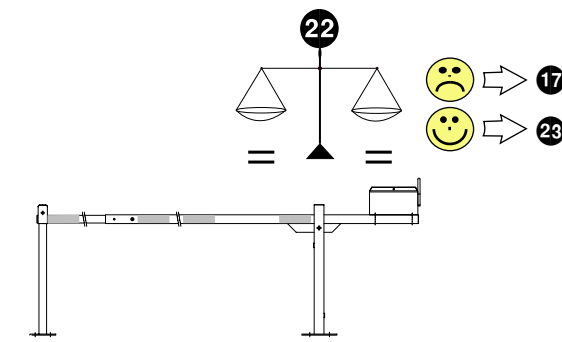
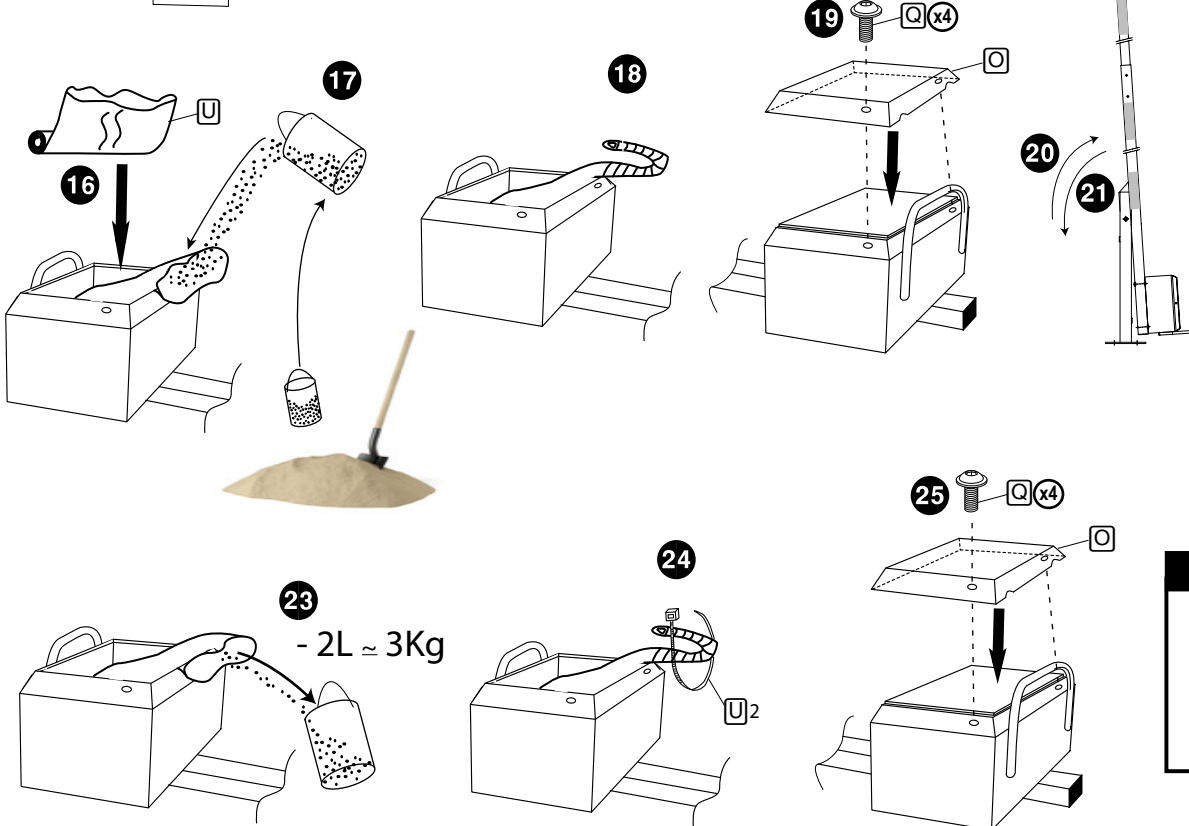
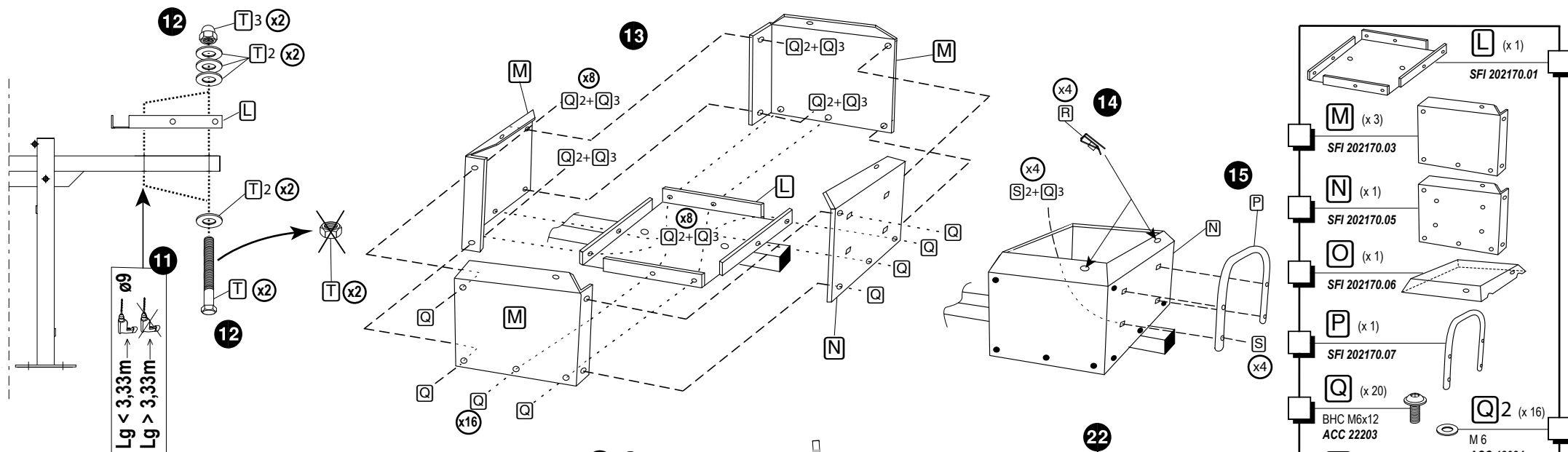
<b>A</b> (x1) 400x250x0.8 ATE 07005		<b>V2*</b> (x1) Δ 11 ACC 03344	
<b>B</b> (x1) 200x200x0.8 ATE 07004		<b>V*</b> Δ 11 (x1) ATE19100 BHC M6x20 (x2) ACC22067 ø22x5 (x2) ACC18085 M 6 (x4) ACC18084 H M6 (x2) ACC05003	
<b>C</b> H M16 (x8) M 16 (x8) M16 (x4) ACC 03520		<b>I</b> (x1) ATE 202000.B	
<b>D</b> H M12 (x2) H M12 (x4) ACC 05162		<b>H2</b> (x2) 90x90 ACC 02127	
<b>D2</b> (x4) LL 12 ACC 18130		<b>H</b> (x1) SFI 202170.A	
<b>E</b> (x1) ATE 01084		<b>F2</b> (x1) (x1) 70 x 70 ACC 02118	
<b>E2</b> (x1) ACC 03030		<b>F</b> (x1) 70 x 70 x 3990 SFI 202170.C	
<b>G1</b> (x2) H M10x110 + H M10 ACC 02192		<b>F3</b> (x1) BHC M5x16 ACC 22074	
<b>G2</b> (x2) M 10 ACC 18094		<b>F4</b> (x1) H M5 ACC 05027	
<b>J</b> (x2) CHC M8x90 ACC 22363		<b>G</b> (x1) 80 x 80 x 3990 SFI 202170.B	
<b>J2</b> (x2) M 8 ACC 18145		<b>G3</b> (x2) ø20 ACC 18160	
<b>J3</b> (x2) HFr M8 ACC 04981		<b>G2</b> (x1) 80 x 80 ACC 02126	
<b>K</b> (x1) ø20 ATE 202150.B			

**PROACITY**

N° OF : .....

FRANCE: +33.(0)2.54.80.32.99  
EXPORT: +33.(0)1.39.08.26.55





- L (x1)  
SFI 202170.01
- M (x3)  
SFI 202170.03
- N (x1)  
SFI 202170.05
- O (x1)  
SFI 202170.06
- P (x1)  
SFI 202170.07
- Q (x20)  
BHC M6x12  
ACC 22203
- Q2 (x16)  
M 6  
ACC 18084
- Q3 (x20)  
H M6  
ACC 05036
- R (x4)  
M 6  
ACC 04971
- S (x4)  
CHC M6x30  
ACC 22022
- S2 (x4)  
L 6  
ACC 18081
- T2 (x8)  
M 10  
ACC 18146
- T (x2)  
H M10x100  
H M10  
ACC 02194
- T3 (x2)  
H M10  
ACC 05013
- U (x1)  
ACC 19022
- U2 (x1)  
ACC 03427

**P = 7,2 x Lg - 16**  
 Lg = 3,05 m → P ≈ 6 Kg  
 Lg = 6,4 m → P ≈ 30 Kg