

TECHNICAL CHARACTERISTICS**Structure**

- > Length: 2459 mm
- > Total depth: 2011 mm
- > Total height: 2375 mm
- > Structure: \varnothing 50 mm anodised aluminium tubing mounting on base plates. Aluminium clamps secured with stainless-steel bolts

Roof and panelling

- > Anti-UV-treated cellular polycarbonate panels, 10 mm thick

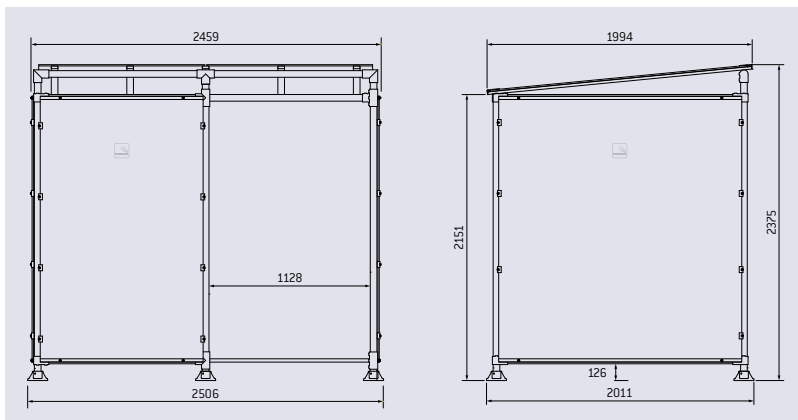
**INSTALLATION**

- > Installation on base plate

PRODUCT CODE

Economy smoking and vaping shelters

529380

**DRAWING****FINISH PAINTED**

- > Anodised aluminium



Anodised

