

TECHNICAL CHARACTERISTICS

Structure

- > Two lengths: 2500 mm or 5000 mm (entrance width 983 mm)
- > Depth: 2692 mm
- > Height: 2640 mm.
- > Square posts: 80 x 80 mm steel tubes on base plates.
- > Height : 2768 mm

Roof

- > Roof frame: 40 x 60 mm acier aluminium-tube crossbars and aluminium profile rain gutters. Barrel roof supports made from curved aluminium profiles.
- > Anti-UV-treated translucent cellular polycarbonate dome, 10 mm thick.

Cladding

- > Front, side and back panels: 8 mm safety glass with safety markings.
- > Cladding attachments: pinch-grip system made from Zamak alloy with brushed finish.

INSTALLATION

- > Installation on base plate 200 x 200 mm, thick. 10 mm expansion bolts supplied

OPTIONS

- > LED lighting, 220 V
- > Parasol perch seat

PRODUCT CODES

Length 2500 mm	529520
Length 5000 mm	529521
Options	
LED lighting, 220 V	509041
Optional Parasol perch seat	208510



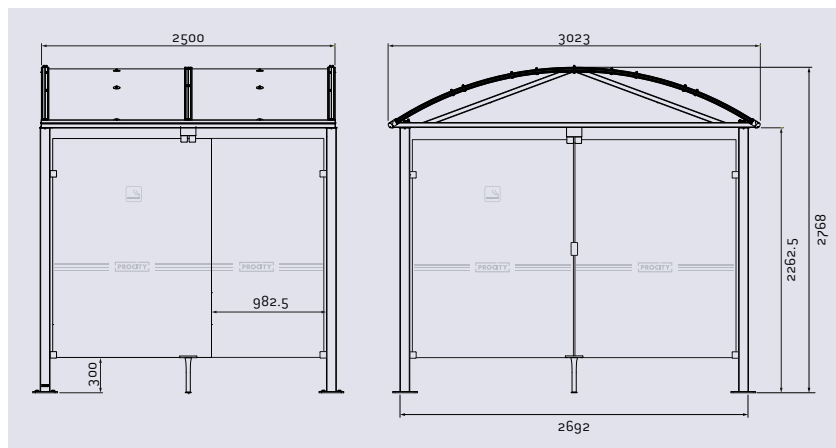
Code 529520 + 208126



Code 529521



DRAWING



Code 529520 + 208510

FINISH PAINTED

- > Galvanised and painted steel in our RAL colours

