

TECHNICAL CHARACTERISTICS

Structure

- > Two lengths: 2500 mm or 5000 mm (entrance width 983 mm).
- > Depth: 1560 mm.
- > Height: 2540 mm.
- > Square posts: 80 x 80 mm steel tubes on base plates.
- > Roof frame: 40 x 60 mm aluminium-tube crossbars and aluminium-profile rain gutters. Barrel roof supports made from curved aluminium profiles.
- > Roof: anti-UV-treated translucent cellular polycarbonate dome, 6 mm thick.

Cladding

- > Front, side and back panels: 8 mm safety glass with safety markings.
- > Cladding attachments: pinch-grip system made from Zamak alloy with brushed finish.

INSTALLATION

- > Installed on base plate 200 x 200 mm, thick 10 mm

OPTIONS

- > Wind protectors around roof (pair)
- > LED lighting, 220 V
- > Perch seat
- > Seat

PRODUCT CODES

Length 2500 mm	529370
Length 5000 mm	529371
Options	
Wind protectors around roof (pair)	529054
LED lighting, 220 V	509041
Perch seat	209147
Seat	209116

FINISH PAINTED

- > Galvanised and painted steel in our RAL colours

RAL 3020	RAL 3004	RAL 5010	RAL 6005	RAL 8017
RAL 7044	RAL 9010	RAL 9005	PROCITY® Grey	Corten effect

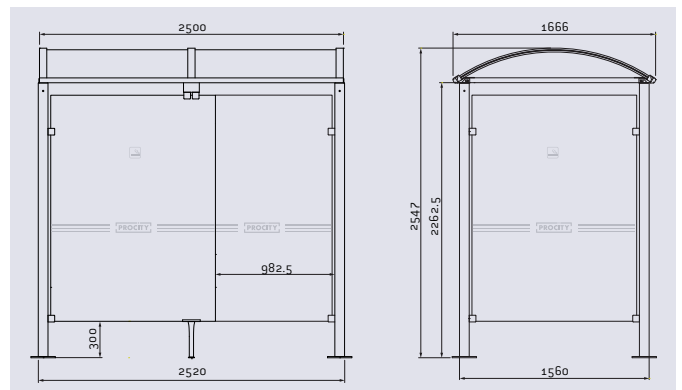


Lg 5000 mm



Lg 2500 mm with bench/shelf option

DRAWING



Wind protectors around roof

