

TECHNICAL CHARACTERISTICS

- > Dimensions: 1560 mm wide x 2500 mm high x 1560 mm deep.
- > Posts: 80 x 80 mm steel tubes on base plates.
- > Roof: anti-UV-treated cellular polycarbonate dome, 6 mm thick.
- > Cladding: safety glass, 8 mm thick.

INSTALLATION

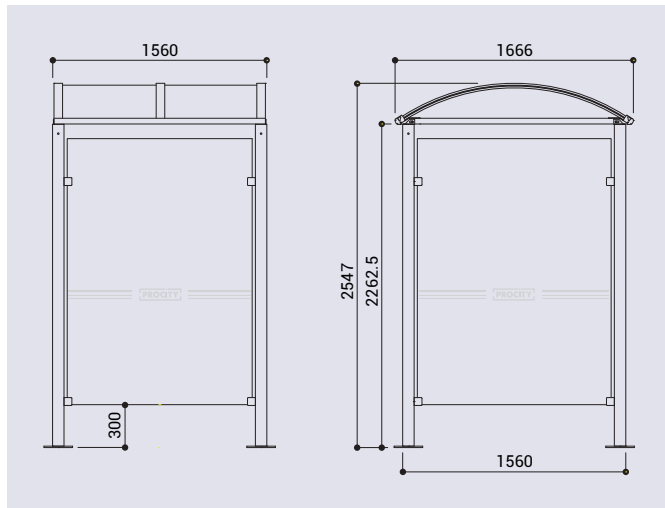
- > Installation on base plates.

PRODUCT CODE

Voute pay point shelter	529200
-------------------------	--------



DRAWING



FINISH PAINTED

- > Galvanised and painted steel in our RAL colours

RAL 3020	RAL 3004	RAL 5010	RAL 6005	RAL 8017
RAL 7044	RAL 9010	RAL 9005	PROCITY® Grey	Corten effect