

### TECHNICAL CHARACTERISTICS

- > Cantilever bicycle shelter
- > Dimensions:  
2700 mm wide x 2097 mm high x 2323 mm deep
- > Structure: steel tubes 100 x 60 mm, cladding support vertical 40 x 40 mm
- > Roof: 50 x 30 mm steel-tube crossbars, anti-UV-treated 10 mm cellular polycarbonate panels
- > Finish: galvanised and painted in our colours
- > Infinite extensions thanks to its intermediary modules 1300 mm wide



Code 529614 + 204105 + 204711

### INSTALLATION

- > Delivered flat packed, for self-assembly
- > Installation: concreted directly into ground and cladding support posts on galvanised base plates, height adjustable legs

### OPTIONS

- > Rear and side cladding: aluminium frame and anti-UV-treated 10 mm cellular polycarbonate panels

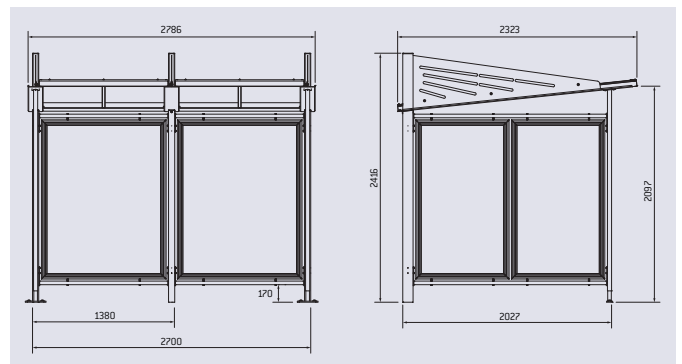


Code 529613

### PRODUCT CODES

Basic bike shelter (no cladding)	529610
Extension unit (no cladding)	529611
"All-in-one" bike shelter (basic + rear cladding + side cladding)	529613
"All-in-one" bike shelter (basic + 2 extensions + rear cladding + side cladding)	529614
<b>Optional</b>	
Side cladding (pair)	529616
Rear cladding - basic shelter	529615
Rear cladding - extension shelter	529617

### DRAWING



### FINISH PAINTED

- > Galvanised and painted in our colours

RAL 3020	RAL 3004	RAL 5010	RAL 6005	RAL 8017
RAL 7044	RAL 9010	RAL 9005	PROCITY® Grey	Corten effect

