

TECHNICAL CHARACTERISTICS

- > Dimensions: 2453 mm wide x 2150 mm high x 1976 mm deep
- > Structure: \varnothing 50 mm anodised aluminium tube, assembled with die-cast aluminium connectors with stainless steel screws
- > Roof: anti-UV-treated 10 mm cellular polycarbonate panels
- > Extension: extension module, 2397 mm wide



Code 529265 + 204719 + 529261 + 529271

INSTALLATION

- > Delivered flat packed, for self-assembly
- > Installation: concreted directly into ground

OPTIONS

- > Rear and side cladding: anti-UV-treated 10 mm cellular polycarbonate panels

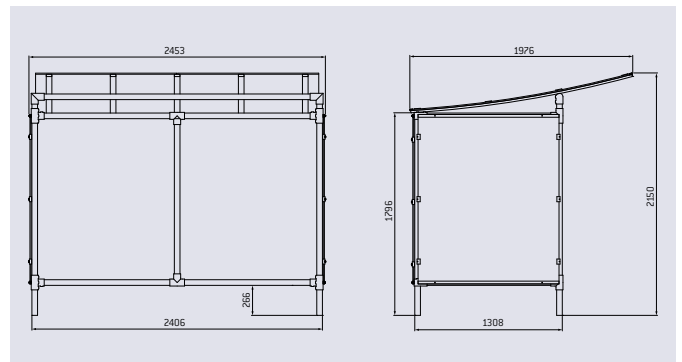


Code 529265

PRODUCT CODES

Basic bike shelter (no cladding)	529260
Extension unit (no cladding)	529261
"All-in-one" bike shelter (basic + side cladding + rear cladding)	529265
Optional	
Side cladding (pair)	529270
Rear cladding	529271

DRAWING



FINISH PAINTED

- > Anodised aluminium



Galvanised

