

TECHNICAL CHARACTERISTICS

- > Dimensions: 2726 mm wide x 2350 mm high x 2253 mm deep
- > Choose from four top caps: City, Agora, Sphere or brushed stainless steel
- > Structure: aluminium tube verticals \varnothing 76 mm
- > Decorative bases and collars: die-cast aluminium
- > Roof:
 - 40 x 60 mm aluminum beams fixed by collars on posts
 - aluminium profile rain gutters
 - arches in curved aluminum profile
 - cellular polycarbonate dome in opaque anti-UV-treated 6 mm
- > Extensions: 2613 mm wide
- > Bicycle rack: 6 spaces : included in the reference of the shelter and its extensions. Made in galvanised steel painted steel in the same colour as the shelter



Code 529160

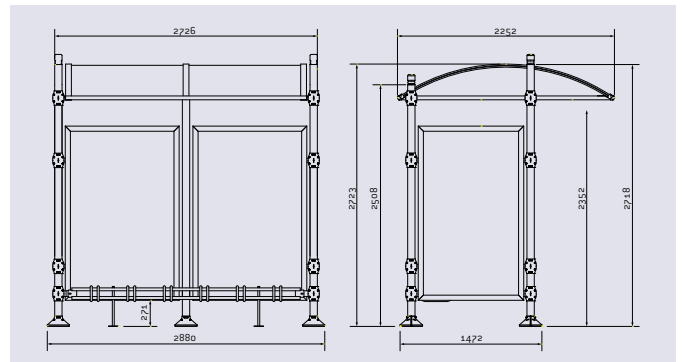
INSTALLATION

- > Delivered flat packed, for self-assembly
- > Concreted directly into ground

OPTIONS

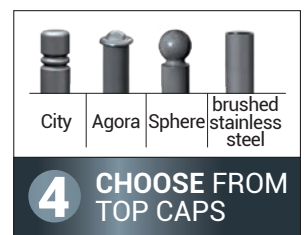
- > Rear and side cladding: aluminium profile frame and anti-UV-treated 10 mm cellular polycarbonate
- > Cladding attachment collars: required for attaching the side and rear panels.(to be added to the cladding codes)

DRAWING



PRODUCT CODES

	City	Agora	Sphere	brushed stainless steel
Basic bike shelter (no cladding)	529120	529121	529122	529125
Extension unit (no cladding)	529140			
"All-in-one" bike shelter (basic + 6-space bike rack + rear cladding + side cladding + clamp attachment collars)	529160	529161	529162	529164
Optional				
Side cladding (pair)	529150			
Rear cladding	529151			
Cladding attachment collar	207000			



FINISH PAINTED

- > Painted in our colours

