

TECHNICAL CHARACTERISTICS

- > Three seat lengths: 450, 1200 or 1800 mm
- > Seat height: 450 mm
- > Total height: 575 mm
- > Base: 450 x 450 mm, steel thickness: 8 mm
- > Steel and wood version: seat and backrest in stained exotic hardwood slats, thickness: 49 mm
- > All steel version: seat and backrest in painted galvanised steel

INSTALLATION

- > On base plates
- > Flat packed for self assembly (all wooden slats are pre-drilled for easy assembly)



Code 306604 + 306425

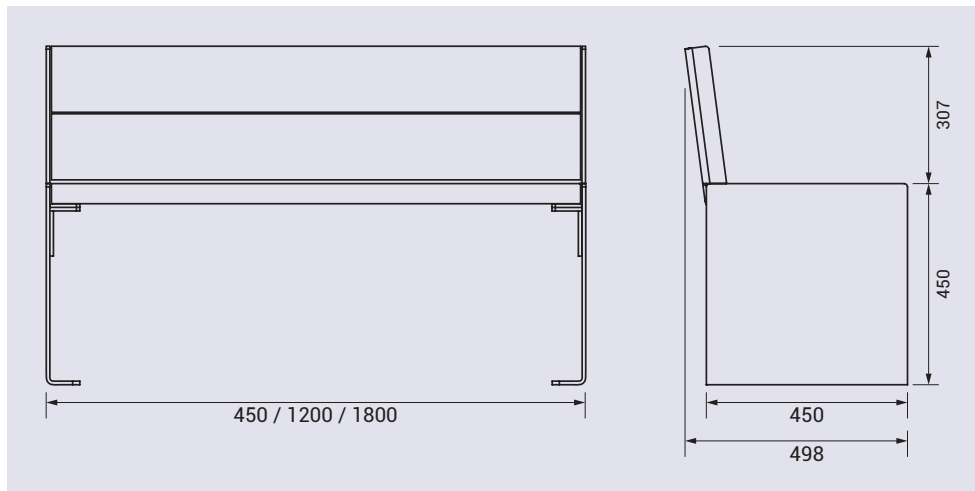
PRODUCT CODES

	Seat	Face-to-face seat
Steel and wood		
Length 450 mm	306394	-
Length 1200 mm	306380	306382
Length 1800 mm	306384	-
All steel		
Length 1800 mm	306604	-



Code 306382

DRAWING



FINISH PAINTED

- > Steel base, zinc painted in our colours
- > Seat and backrest in galvanised steel painted in our colours
- > Wood stain: light oak or mahogany

