



### TECHNICAL CHARACTERISTICS

- > Total height: 821 mm
- > Seat height: 450 mm
- > Seat width: 398 mm
- > Structure: 30 x 50 mm steel tube, thickness 2 mm
- > Base plates: 100 x 40 mm, thickness 5 mm
- > With or without armrest, thickness 8 mm

#### Steel and wood version:

- Two lengths: 1200 or 1800 mm (for 1800 mm version, horizontal slats reinforced with galvanised steel frame)
- Seat and back PEFC certified oak thickness 36 mm, slat width 115 mm

#### All steel version:

- Length: 1800 mm
- Seat and back in folded 2mm galvanised steel, slat width 120 mm

### INSTALLATION

- > On base plates
- > Flat packed for self assembly (all wooden slats are pre-drilled for easy assembly)

### PRODUCT CODES

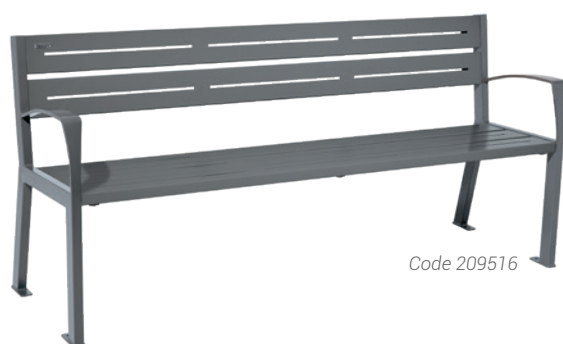
	Without armrest	With armrest
<b>Steel and wood version</b>		
Length 1200 mm	209501	209511
Length 1800 mm	209502	209512
<b>Steel version</b>		
Length 1800 mm	209506	209516



Code 209502

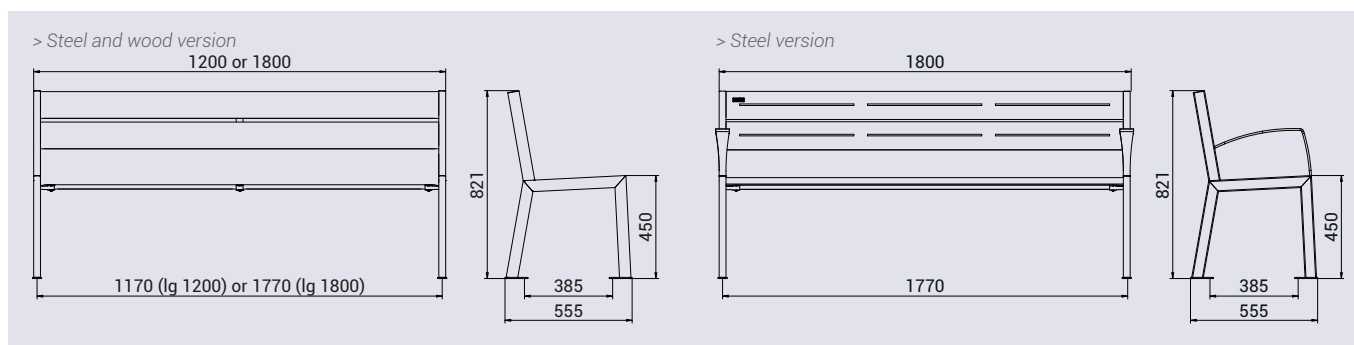


Code 209511



Code 209516

### DRAWINGS



### FINISH PAINTED

- > Structure: steel, zinc-primed and painted in our colours
- > Steel and wood version: seat and back protected by water based stain, mahogany or light oak stained finish
- > All steel version: seat and back galvanised and painted in monochrome or twin colours



### INSTALLATION DRAWING

