

TECHNICAL CHARACTERISTICS

- > Three seat lengths: 450, 1200 or 1800 mm
- > Seat height: 450 mm
- > Base: 450 x 450 mm, steel thickness: 8 mm
- > Steel and wood version: stained exotic hardwood seat
- > All steel version: painted galvanised steel seat

INSTALLATION

- > On base plates
- > Flat packed for self assembly (all wooden slats are pre-drilled for easy assembly)



Code 306393

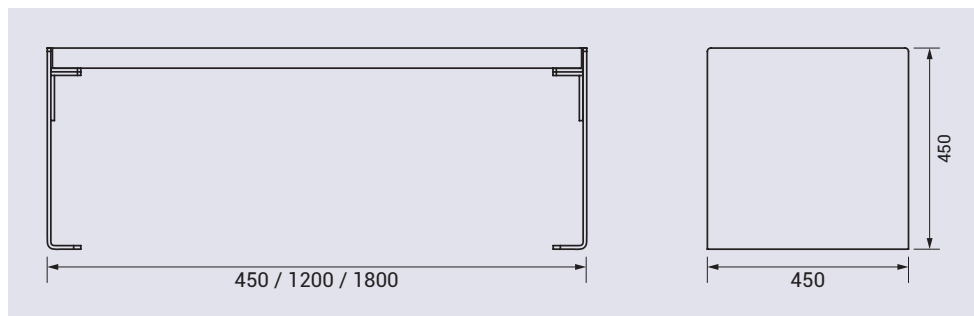
PRODUCT CODES

Steel and wood	
Length 450 mm	306397
Length 1200 mm	306390
Length 1800 mm	306392
All steel	
Length 1800 mm	306393



Code 306390

DRAWING



FINISH PAINTED

- > Steel base, zinc painted in our colours
- > Seat galvanised painted in our colours
- > Wood stain: light oak or mahogany

