

TECHNICAL CHARACTERISTICS

- > Two lengths: 1072 or 1572 mm
- > Frame: single cross
- > Height above ground: 1025 mm
- > Posts: steel tubes \varnothing 76 mm, fitted with a welded domed top cap

INSTALLATION

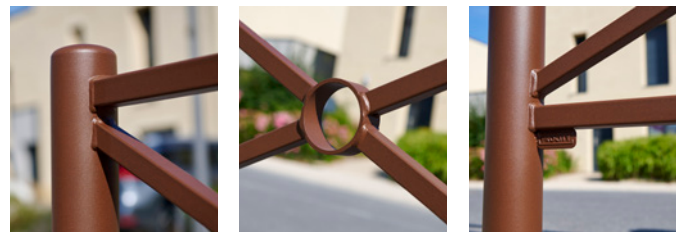
- > Concrete directly into the ground

OPTIONS

- > Serrubloc® removable kit for Dom Top railings consists of two sockets, one of which can be locked with a triangle key. Self-draining: to be installed at the bottom of the sockets. Code 203404
- > Installation on base plates



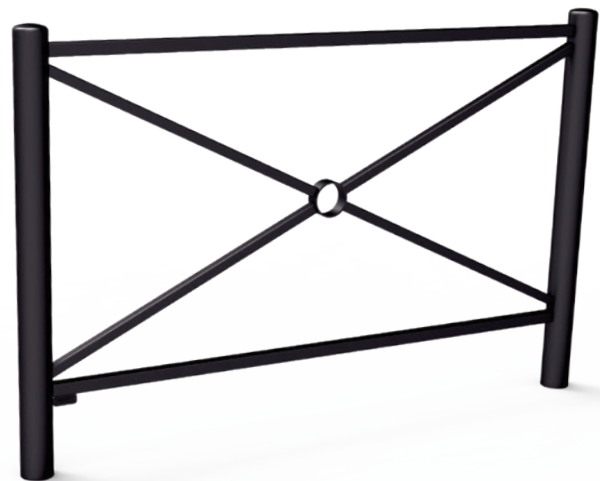
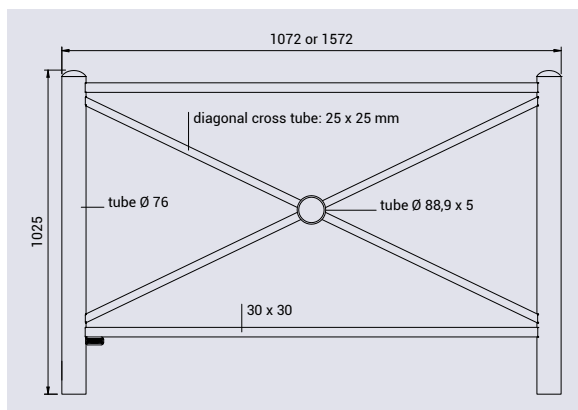
Code 206081



PRODUCT CODES

Length 1072 mm	206080
Length 1572 mm	206081

DRAWING



FINISH PAINTED

- > Zinc primed and painted in our colours

RAL 3020	RAL 3004	RAL 5010	RAL 6005	RAL 8017
RAL 7044	RAL 9010	RAL 9005	PROCITY® Grey	Corten effect



Serrubloc® removable kit
Code 203404