

TECHNICAL CHARACTERISTICS

- > Two lengths: 1072 and 1572 mm
- > Overall height (excluding top cap): 1180 mm
- > Steel posts \varnothing 76 mm, thickness 3 mm
- > Three frames styles of simple cross:
 - 25 x 25 mm simple cross frame with central ring \varnothing 89 mm
 - 25 x 25 mm simple cross frame with 2 rosettes
 - 25 x 15 mm simple cross frame with mesh
- > 30 x 30 mm horizontal rails
- > Choice of four top caps: City, Agora, Sphere or Brushed stainless steel



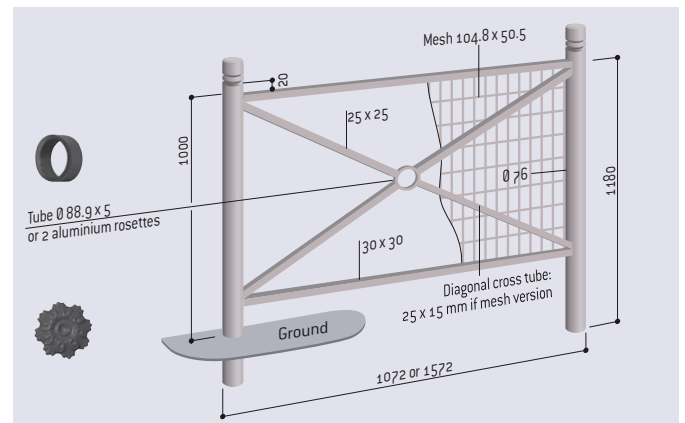
INSTALLATION

- > Concrete directly into the ground

OPTIONS

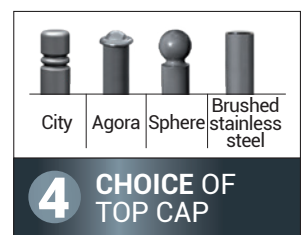
- > Available as version with contrasting top caps
- > Serrubloc® removable kit for Dom Top railings consists of two sockets, one of which can be locked with a triangle key. Self-draining: to be installed at the bottom of the sockets. Code 203404
- > Installation on base plates

DRAWING



PRODUCT CODES

	City	Agora	Sphere	Brushed stainless steel
Length 1072 mm - Single cross	206061	206057	206066	206056
Length 1572 mm - Single cross	206161	206157	206166	206155
Length 1072 mm - Rosette	206067	206058	206068	206047
Length 1572 mm - Rosette	206167	206158	206168	206147
Length 1072 mm - Mesh	206079	206059	206070	206078
Length 1572 mm - Mesh	206179	206159	206170	206178



FINISH PAINTED

- > Zinc primed and painted in our colours

