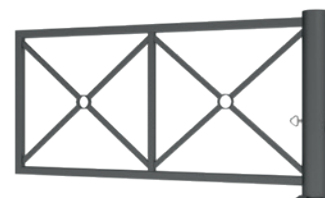
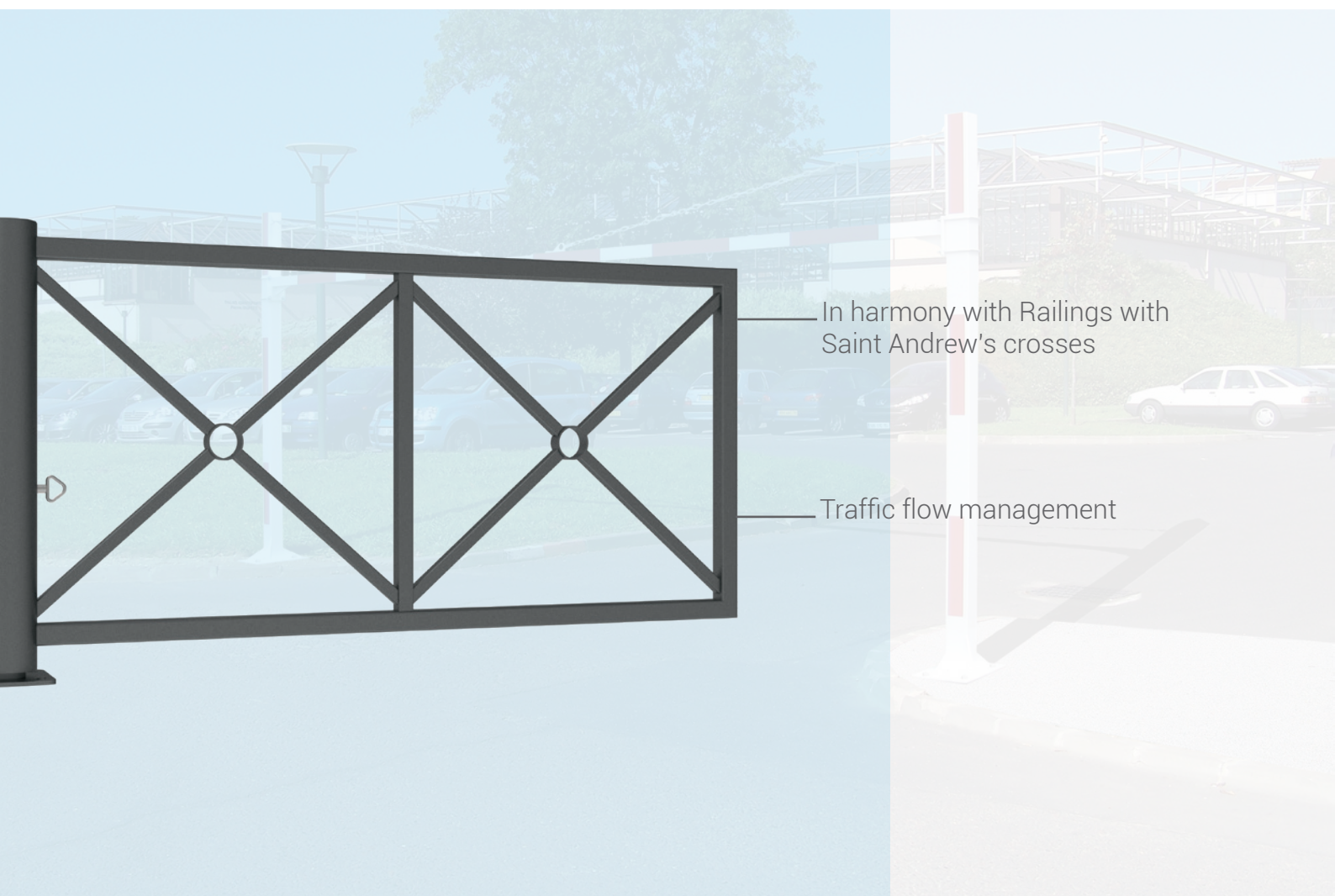


DECORATIVE Swivel Barrier

>> New: independent installation kit available <<



TECHNICAL SPECIFICATIONS

- > Lengths: 2010 mm
- > Structure: 50 x 50 mm and 30 x 30 mm steel tubes
- > Opening system: barrel Assembled on pivot
- > Closure: Ø 20 mm pin and padlock (supplied)
- > Can be locked at 90° in open position

INSTALLATION RECOMMENDATIONS

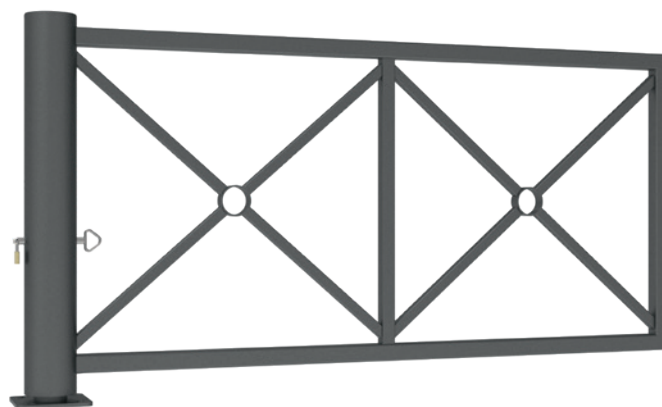
- > On base plate 200 x 200 mm
- > The installation kit is shipped separately from the barrier, gives you the opportunity to prepare your embedding blocks in advance

OPTION

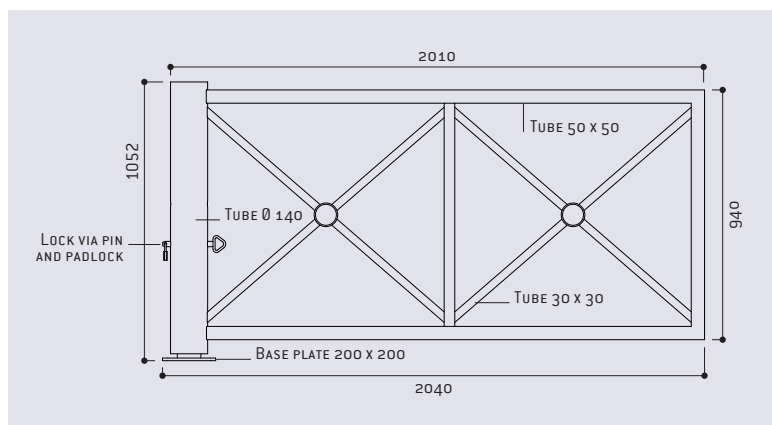
- > 11 triangle key or 14 triangle key lock

REFERENCES

Decorative Swivel Barrier	203129
Installation kit	203601



DIAGRAM



PAINT FINISH

- > Galvanised and painted steel in our colours

