

TECHNICAL CHARACTERISTICS

- > Two lengths: 1000 and 1500 mm
- > Overall height: 1080 mm
- > Height above ground: 900 mm
- > Ground clearance: 150 mm
- > 50 x 30 mm steel tube posts and top rail
- > Three styles of frame:
 - single 20 x 20 mm simple cross with central Ø 89 mm ring
 - decorative lazer cut sheet steel, thickness: 3 mm
 - with 25 x 10 mm vertical bars

INSTALLATION

- > Concrete directly into the ground

OPTIONS

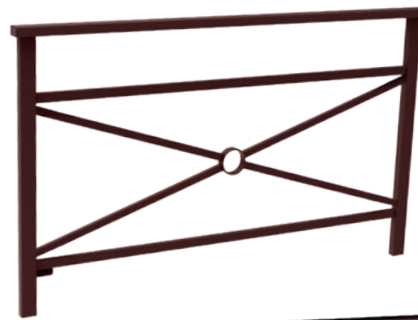
- > Serrubloc® removable kit for Venice railings consists of two sockets, one of which can be locked with a triangle key. Self-draining: to be installed at the bottom of the sockets. Code 203405
- > Installation on oval base plates

PRODUCT CODES

	Length 1000 mm	Length 1500 mm
Railing with decorative lazer cut sheet steel	206820	206821
Railing with simple cross	206825	206826
Railing with vertical bars	206827	206828



Code 206821

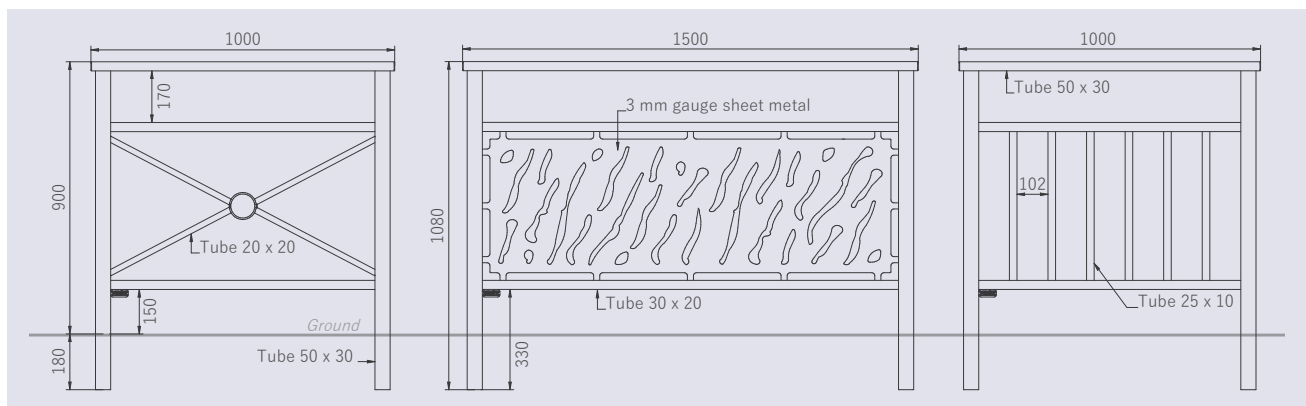


Code 206826



Code 206828

DRAWINGS



FINISH PAINTED

- > Zinc primed and painted in our colours

RAL 3020	RAL 3004	RAL 5010	RAL 6005	RAL 8017
RAL 7044	RAL 9010	RAL 9005	PRO CITY® Grey	Corten effect



Serrubloc®
removable kit
Code 203405

