

TECHNICAL CHARACTERISTICS

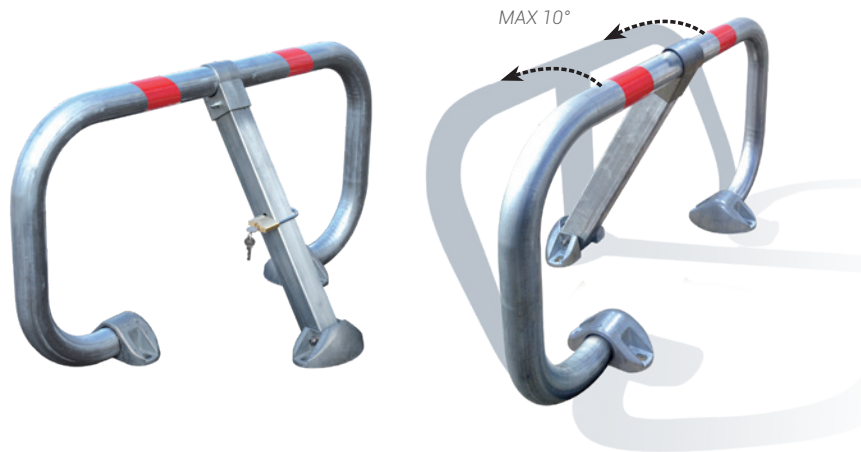
- > Structure: Sendzimir galvanised steel tube \varnothing 50 mm with self-adhesive reflective strips. Telescopic support, cast zamak feet
- > Model: also available in Amortishock® to withstand a low-speed impact from a moving vehicle
- > Choice of 3 opening systems:
 - Pushlock with different keys (3 keys provided) or identical keys (3 keys provided)
 - 8-mm triangle-key lock (1 triangle key provided)
 - Removable padlock



Code 204800

PRODUCT CODES

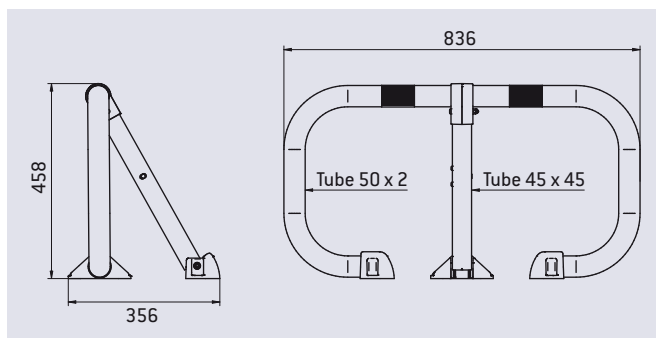
	BPE	BPE Amortichoc®
Pushlock		
Open with different keys	204800	204810
Open with identical keys	204801	204811
Triangle-key lock		
Open with triangle key	204802	-
Padlock		
Open with padlock	204819	-



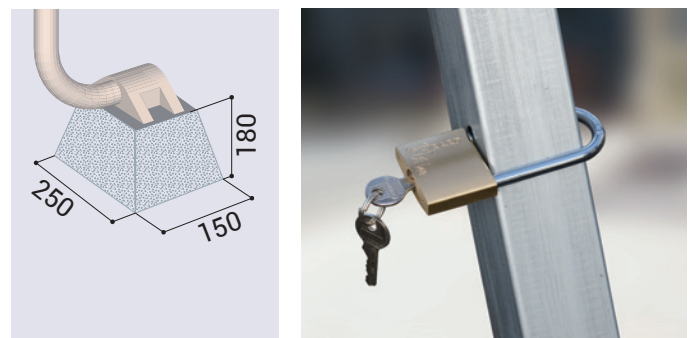
BPE with padlock
Code 204819

BPE Amortichoc®
Code 204810

DRAWING



INSTALLATION DRAWING



BPE with padlock
Code 204819

FINISH PAINTED

- > Galvanised



Galva