

TECHNICAL CHARACTERISTICS

- > 3 lengths: 550, 900 or 1800 mm
- > Weights: 5, 7, 15 Kg
- > Width: 150 mm
- > Height: 100 mm
- > Yellow bead reflective stripes 170 x 80 mm
- > 80% Recycled rubber
- > Conformity: CE89/106/EEC certified EN 1790:1998



Code 207912

INSTALLATION

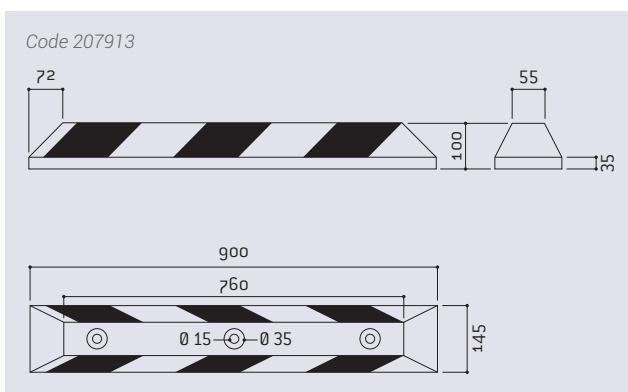
- > Fastened by bolts (not supplied with product)
- > Requires M10 - 110 mm expansion bolts (suitable for most surfaces)
- > Drill to 120 mm depth with a $\varnothing 15$ mm bit

PRODUCT CODES

Length 550 mm	207912
Length 900 mm	207913
Length 1800 mm	207914
Option	
Expansion bolts (set of 20)	111566



DRAWING



FINISH PAINTED

- > Yellow and black rubber



Yellow
and black