

TECHNICAL CHARACTERISTICS

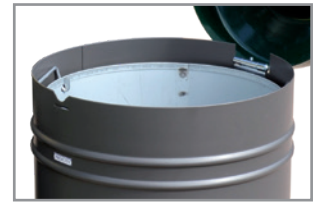
- > Recycling point:
 - An initial Procitu® bin with liner bucket on a centre post Ø 76 mm,
 - One or two additional Procitu® bins with liner buckets and connectors
- > Choose from four top caps: City, Agora, Sphere or brushed stainless steel
- > Structure:
 - Internal bin in galvanised steel as standard with handles
 - Bin body 1.5 mm steel
 - Lid in 1.2 mm steel
- > Locking system: unlocks with triangle key, self-centring closure and latch



Code 208135 + 208130 + 208132

INSTALLATION

- > Installation: concreted directly into ground



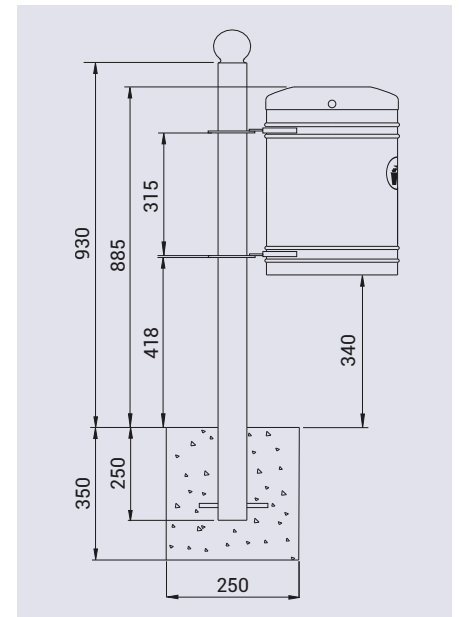
OPTIONS

- > Decorative base: die-cast aluminium
- > Set of 4 signage decals for recycling categories (each 250 mm high x 150 mm wide)

Option: set of 4 signage decals



DRAWING & INSTALLATION DRAWING

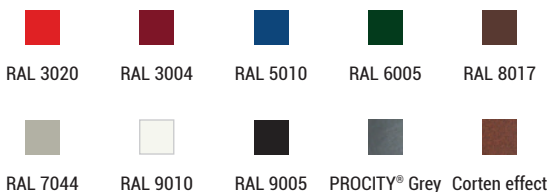


PRODUCT CODES

	City	Agora	Sphere	Brushed stainless steel
Starter bin	208135	208136	208137	208133
Additional bin	208130			
Options				
Decorative base	206108			
Optional signage decal set	208132			

FINISH PAINTED

- > Finish: body and lid zinc primed and painted in our colours



The lid cover prevents the introduction of household garbage bags. Its shape is specially designed to prevent the spread of a fire, forcing flames down to suffocate the fire.



Option decorative base

