

TECHNICAL CHARACTERISTICS

- > Minimal bird, domestic waste and wind a Ø 270 mm aperture
- > Two sizes:
 - version without cover: length: 450 x width: 450 x height: 750 mm
 - version with cover: length: 450 x width: 450 x height: 950 mm
- > Capacity: bag holder for 120 litre bags (bags not supplied)
- > Frame:
 - Steel and wood version: steel and two sides in tropical wood, thickness 22 mm
 - All-steel version: steel thickness 5 mm
- > Cover: solid steel, thickness 5 mm
- > Opening system: door to the front, locked with triangle key

INSTALLATION

- > Fastened with anchor rods (not supplied with product)

OPTIONS

- > Self adhesive stainless steel cigarette stubber to be attached
- > Anchoring kit for litter bin (4 rods)

PRODUCT CODES

	Steel and wood	All steel
Litter bin without cover	306489	306485
Litter bin with cover	306488	306483
Options		
Cigarette stubber	208181	
Anchoring kit for litter bin	208113	

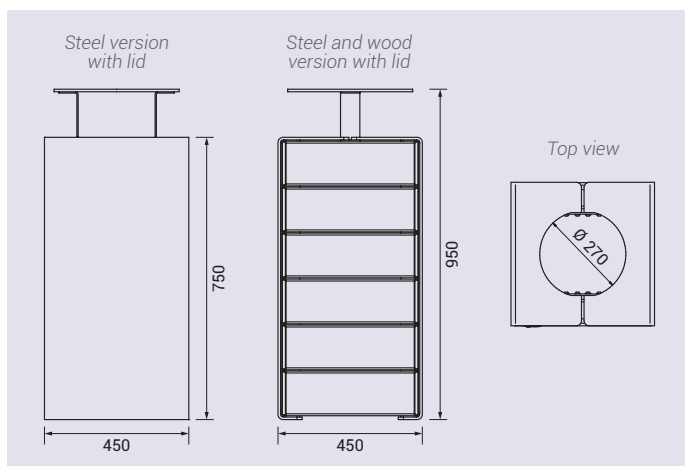


Code 306488



Code 306485

DRAWINGS



Code 306489

FINISH PAINTED

- > Steel, zinc primed & painted in our colours, in monochrome or two-tone (for the all-steel version)
- > If installed within 5 miles of the coast, we strongly recommend an additional weather treatment for the steel work (galvanising). Contact us for more details
- > Wood stained, light oak or mahogany finish

