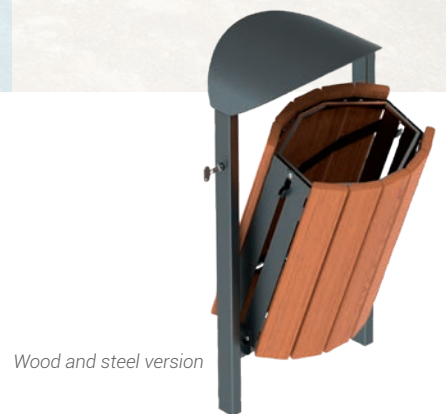


SILAOS[®] litter bin 50 litres

>> New : version on base plates and with ashtray option <<



TECHNICAL CHARACTERISTICS

- > Dimensions: 502 mm L x 344 mm W x 953 mm H
- > Capacity: takes 50-litre bags (not included)
- > Structure :
 - steel and wood version: steel and PEFC certified oak, 22 mm thick
 - all steel version: steel and laser-cut sheet metal
- > Opening system: tilting bin, locks with triangle key
- > Version with ashtray: drawer-style ashtray, 0.7-litre capacity, locks with triangle key

INSTALLATION

- > Concreted directly into ground or on base plates

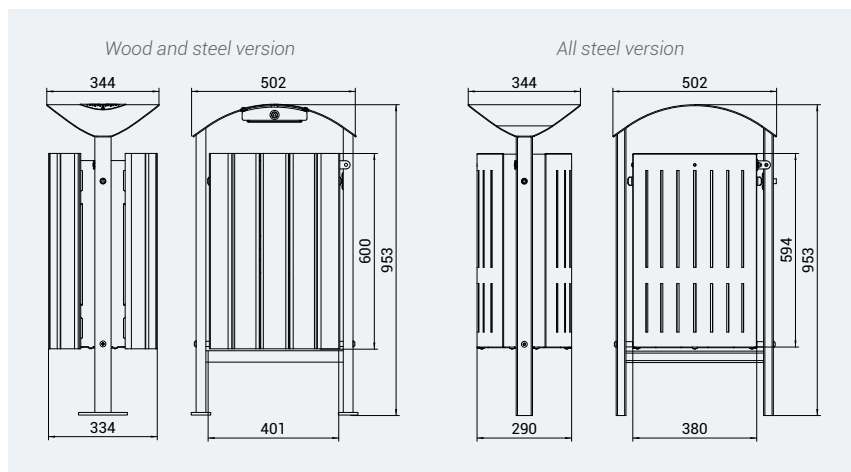


Code 594145

PRODUCT CODES

	NEW	
	Concreted	On base plates
Steel and wood		
With ashtray NEW	594147	594157
No ashtray	594145	594155
All steel		
With ashtray NEW	594148	594158
No ashtray	594146	594156

DRAWING



Code 594158



Code 594145

FINISH

- > Steel and wood version: zinc primed and painted in our colours and stained wood, light oak or mahogany finish
- > All steel version: zinc primed and painted in our colours

RAL 3020	RAL 3004	RAL 5010	RAL 6005	RAL 8017	Light oak stain
RAL 7044	RAL 9010	RAL 9005	PROCITY® Grey	Corten effect	Mahogany stain