

TECHNICAL CHARACTERISTICS

- > Width: 625 mm
- > Total height:
 - Concreted version: 870 mm
 - On base plate: 690 mm
- > Structure steel tube Ø 60 mm

INSTALLATION

- > Installation: concreted directly into ground or oval base plates 130 x 70 mm, 5 mm thick
- > Option: installation in socket

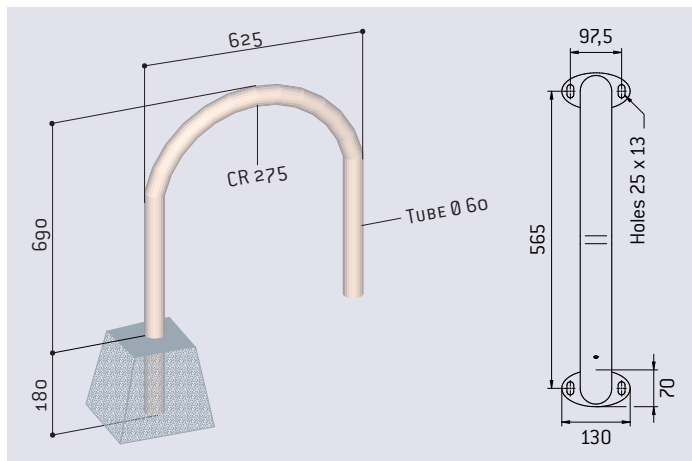


Code 201061

PRODUCT CODES

	Galva	Galva + Painted
Concreted	201060	201061
On base plates	291060	291061

DRAWING



Code 291060

FINISH PAINTED

> Galvanised or galvanised & painted in our RAL colours

