

TECHNICAL CHARACTERISTICS

- > 3 finishes and 5 diameters to choose from
- > Steel tube: Ø 60, 76, 90, 114 or 168 mm
- > Tube thickness: 3 mm with a welded domed top

INSTALLATION

- > Concreted directly into the ground (depth 180 mm, rebar not supplied, except Ø 168 mm: depth 230 mm, rebar not supplied)



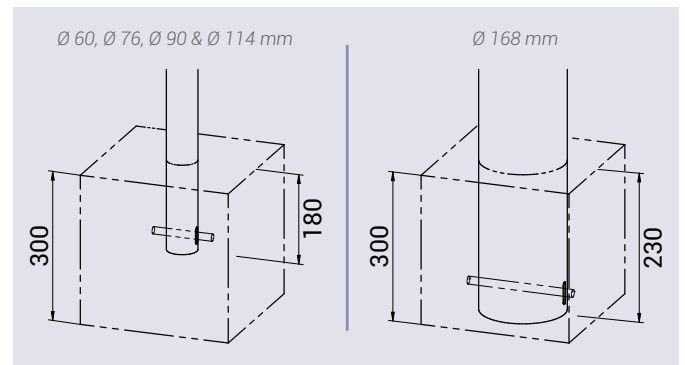
OPTION

- > Can be made removable with Lockblock® 21 (except Ø 60 mm or Ø 168 mm)

PRODUCT CODES AND DIMENSIONS

		Galvanised	Galvanised & painted	Zinc primed & painted
Ø 60 mm	HAG 1100 mm	204320	204330	204660
Ø 76 mm	HAG 1000 mm	204360	204364	204661
Ø 90 mm	HAG 1000 mm	204350	204351	204662
Ø 114 mm	HAG 1000 mm	204391	204395	204663
Ø 168 mm	HAG 1070 mm	204677	204678	204679

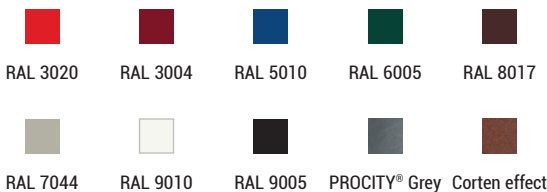
INSTALLATION DRAWING



Lockblock® 21

FINISH PAINTED

- > Galvanised finish, galvanised and painted or zinc primed and painted in our colours



Dome top bollard
Ø 60 mm



Dome top bollard
Ø 76 mm



Dome top bollard
Ø 90 mm



Dome top bollard
Ø 114 mm



Dome top bollard
Ø 168 mm

