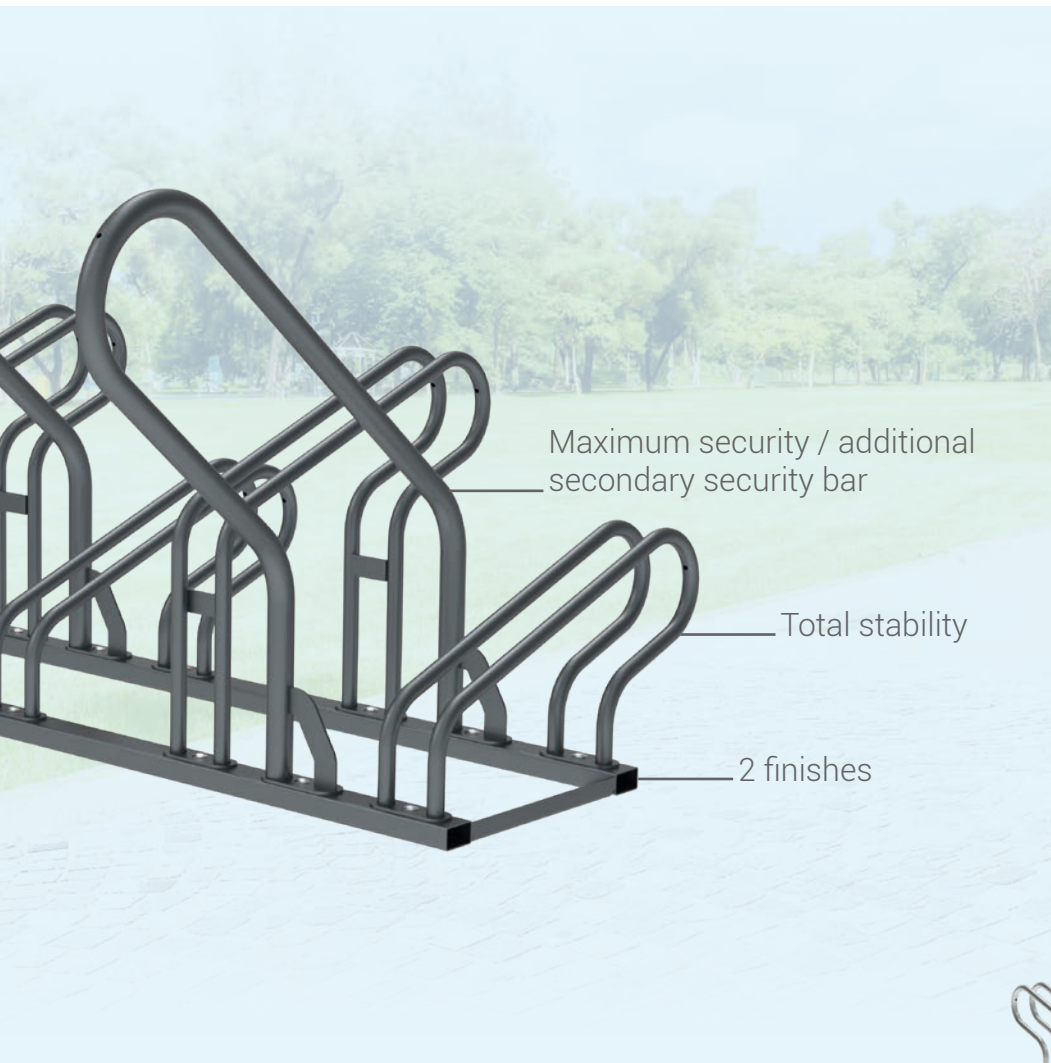


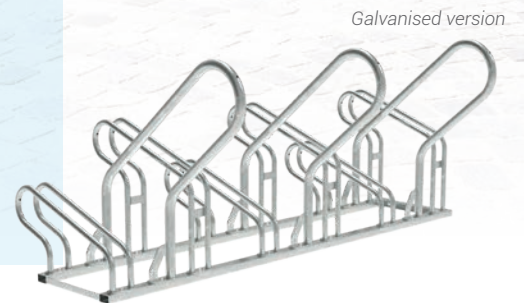
OPTIMUM bicycle rack



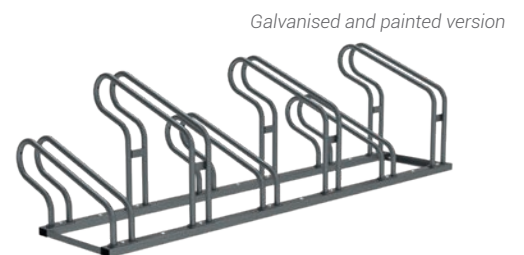
Maximum security / additional secondary security bar

Total stability

2 finishes



Galvanised version



Galvanised and painted version

TECHNICAL CHARACTERISTICS

- > Model 6 spaces
- > Height above ground: 527 mm
- > Width: 572 mm
- > Structure steel tube 50 x 30 mm in 2 mm gauge and Ø 22 mm tube in 1.2 mm gauge
- > Rack at two different heights
- > Wheel perfectly held

INSTALLATION

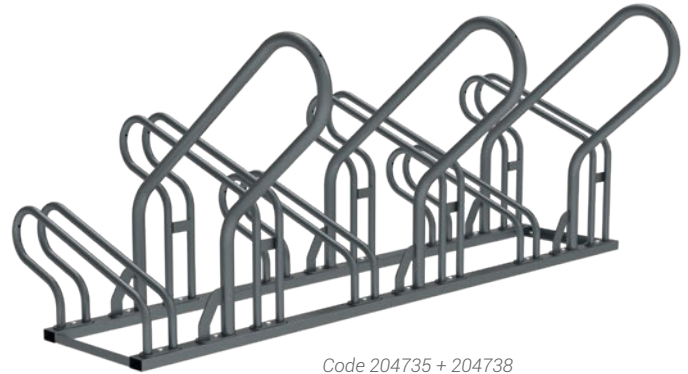
- > Free-standing or anchored to the ground through Ø 12 mm holes (bolts not included)

OPTION

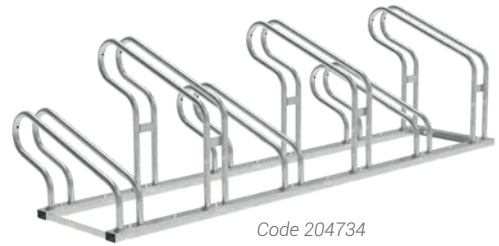
- > Additional Ø 35 mm secondary security bar

PRODUCT CODES

	Galva	Galva + Painted
Optimum bicycle rack - flat packed	204737	-
Optimum bicycle rack - assembled	204734	204735
Optional additional secondary security bar (3 units) - flat packed	204736	204738

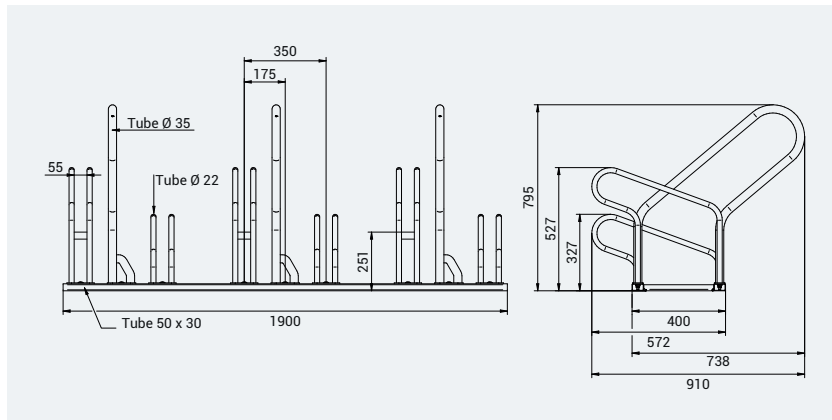


Code 204735 + 204738



Code 204734

DRAWING



FINISH

- > Galvanised steel or galvanised and painted in our colours

