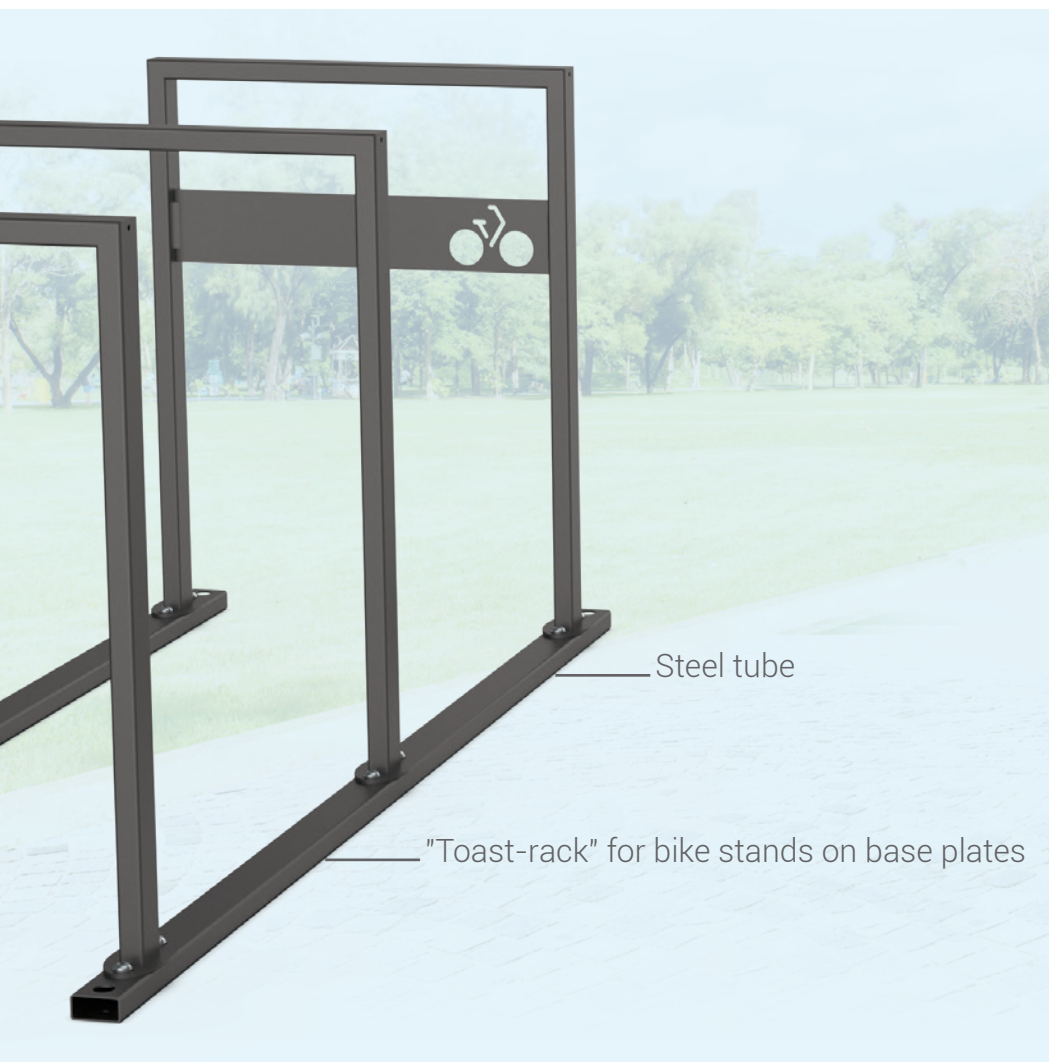


CHASSIS for bicycle stands on base plates



Galvanised steel finish Galvanised and painted finish



TECHNICAL CHARACTERISTICS

- > Model: 3 bicycle stand model, length 1885 mm
- > Extension: 2 bicycle stand extension module, length 1635 mm
- > Structure: steel tube 60 x 30 mm
- > Bike stands: sold separately. Add your choice of bike stands on base plates to the chassis option (Milan bicycle stand, Trombone bicycle stand Ø 50 and 60 mm, sheffield style bicycle stand and reinforced)

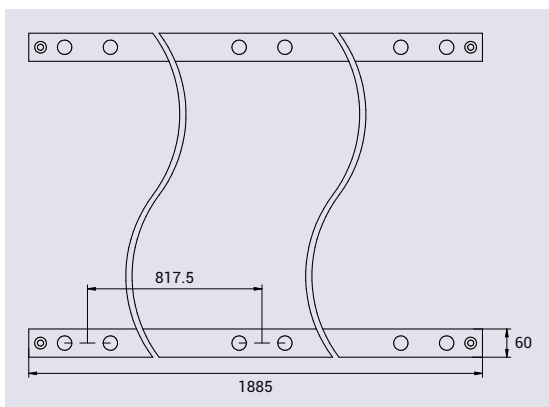
INSTALLATION

- > Installation: free-standing or anchored to the ground through Ø 13 mm holes (bolts not included)

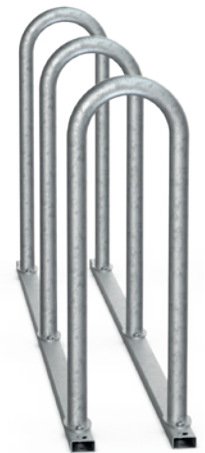
PRODUCT CODES

	Galva	Galva/painted
3 bicycle stand model	204020	204021
2 bicycle stand extension module	204022	204023

DRAWING



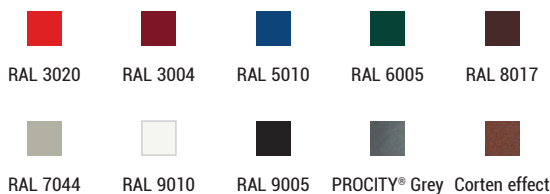
Code 204021 + 294010 + 294012 + 294014



Code 204020 + 291057

FINISH PAINTED

- > Galvanised steel or galvanised and painted in our colours



Code 204021 + 294017 + 294019