

REVOLVING barrier

>> New: independent installation kit available <<

>> New lengths: 1800 mm <<



TECHNICAL SPECIFICATIONS

- > 4 Lengths :
 - 1400 mm - 2300 mm
 - 1800 mm - 3000 mm
- Lengths 2300 and 3000 mm are equipped with a vertical tube for the installation of a traffic sign
- > Clearance: 1250, 1660, 2150 and 2930 mm depending on model
- > Structure in Ø 60 mm steel tubes (Ø 50 mm for Lengths 1400 mm)
- > Opening system: barrel Assembled on a pivot
- > Closure with Ø 20 mm pin and padlock (supplied)
- > Can be locked at 90° in open position



Ref. 203143

INSTALLATION RECOMMENDATIONS

- > On base plates with anchor brackets in installation kit
- > The installation kit is shipped separately from the barrier, gives you the opportunity to prepare your embedding blocks in advance

OPTION

- > Locking by 14-pin triangle key

REFERENCES

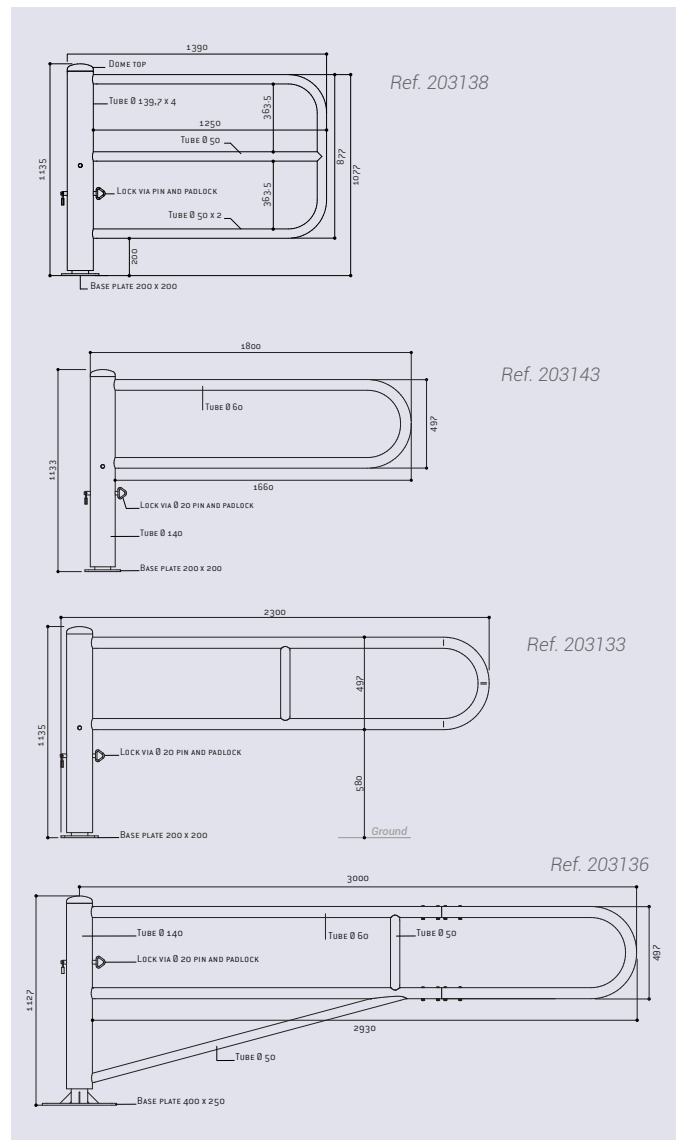
	Galvanised	Painted/ Galvanised	Installation kit
Length 1400 mm	203137	203138	203601
Length 1800 mm	203142	203143	203601
Length 2300 mm	203132	203133	203601
Length 3000 mm	203135	203136	203602

PAINT FINISH

- > Galvanised and painted only on galvanised steel



DIAGRAMS



SEALING PLAN

